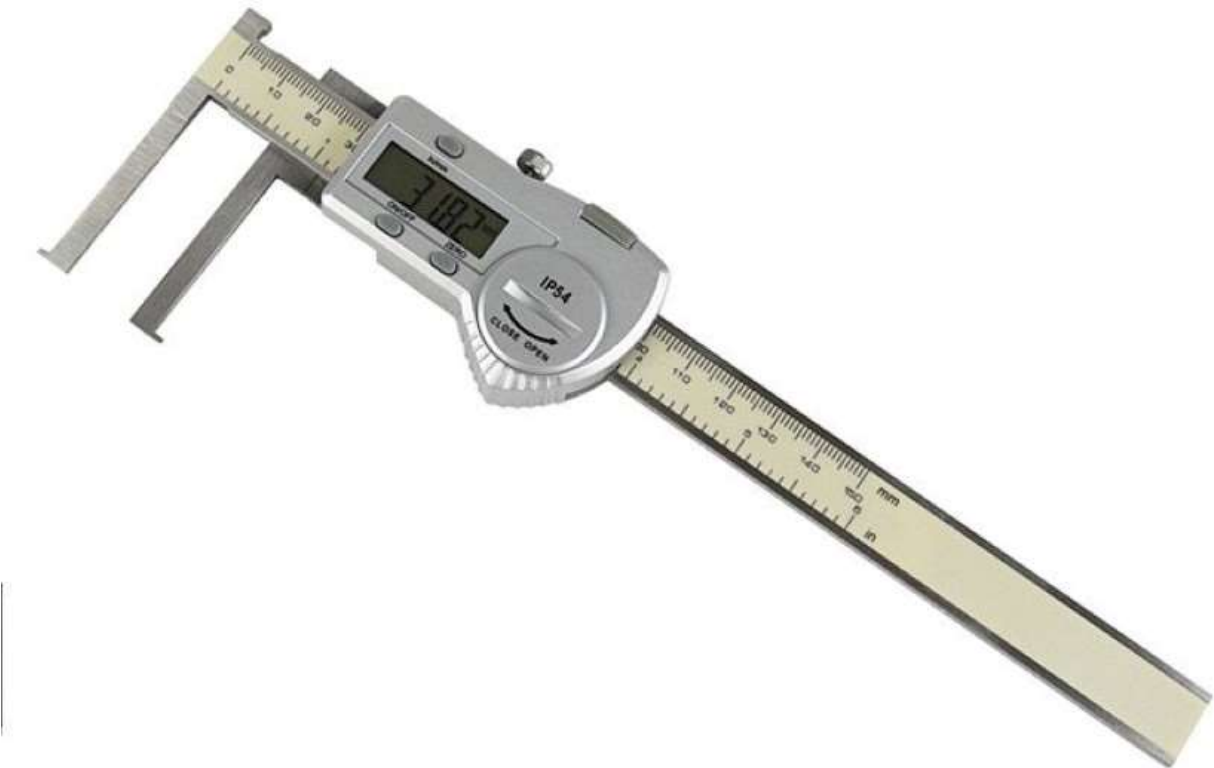
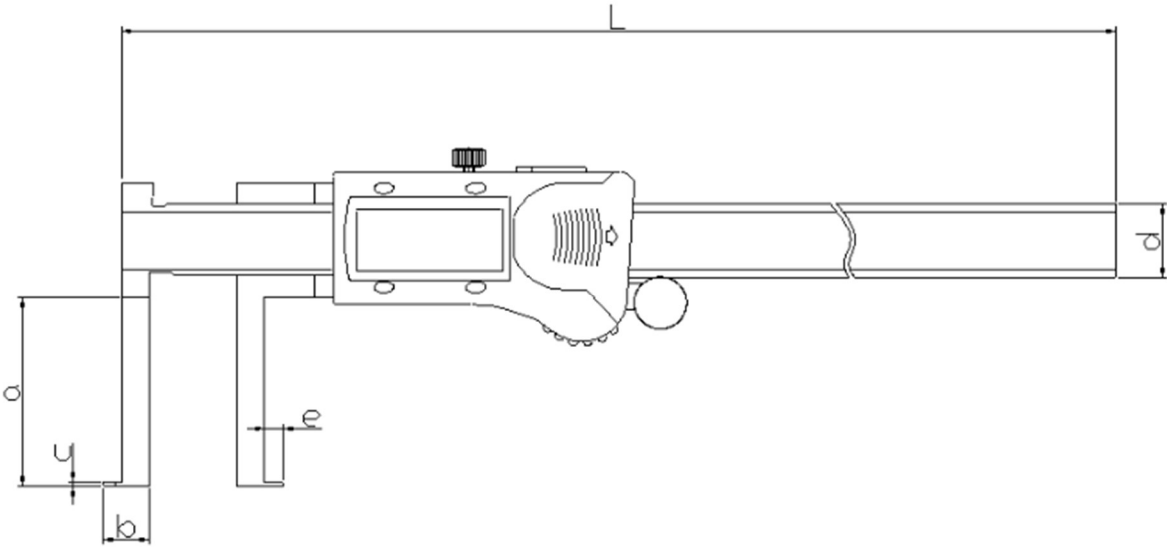


DIGITAL CALIPER WITH GROOVE IN THE BLADE



PRODUCT DESCRIPTION





1. The main ruler and measuring claw are made of hardened stainless steel
2. The thumb wheel can be fine-tuned
3. LCD screen quickly displays data, easy to read
4. Automatic power switch
5. Interchange of relative measurement and absolute measurement at any position (ABS function)
6. Zero reset at any position
7. Metric and English conversion
8. IP54 waterproof
- 9, 3v environmental protection lithium battery, battery life is greater than 1 year
10. The probe is thinner, which is convenient for measuring the narrow groove size in the hole

Measuring range mm	Resolution mm / inch	Allowable error mm	a mm	b mm	c mm	d mm	e mm	L mm
12-150	0.01 / 0.0005 "	± 0.04	40	10	1	16	4	236